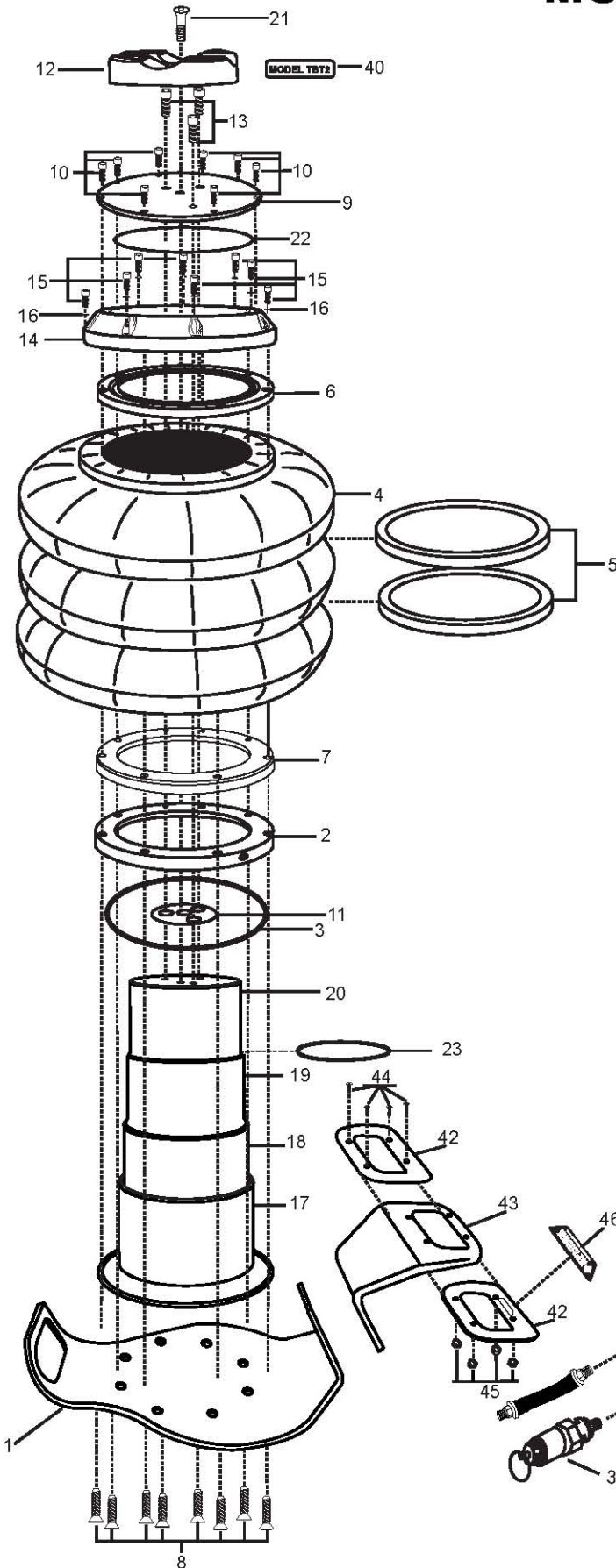


RAK JAK MODEL TBT2



ITEM	PART NO.	DESCRIPTION	QTY.
1	2200	Base	1
2	2201	Lower Air Ring	1
3	2202	O Ring (Bag Seal) 5 5/8 X 1/8	1
4	2240	Air Bag	1
5	2204	Center Ring	2
6	2205	Upper Bag Ring	1
7	2205	Lower Bag Ring	1
8	2207	Low Plate Mtg. Bolts 1/4 20 X 1 1/2 cntsnk	8
9	2242	Top Plate	1
10	2243	Top Plate Mtg. Bolts 1/4 20 X 5/8 Allen	8
11	2211	Gasket	1
12	2244	Jack Pad	1
13	2213	Mtg. Bolts 3/8 16 X 5/8	3
14	2214	Spacer Ring	1
15	2215	Spacer Ring Mtg. Bolts 1/4 20 X 1 1/8	8
16	2210	Washers	8
17	2247	Inner Member #1	1
18	2248	Inner Member #2	1
19	2249	Inner Member #3	1
20	2250	Inner Member #4	1
21	2221	Jack Pad Mtg. Bolt 3/8 16 X 1 1/2	1
22	2216	Spacer Ring O Ring 4 3/4 X 1/8	1
23	2223	Lock Ring	1
24	2225	Hose Assembly	1
25	2226	Valve Block	1
26	2227	Valve Blk. Mtg. Bolt 5/16 18 X 7/8 Serrated	2
27	2228	Handle	1
28	2229	Roll Pin 1 3/8 X 0.187	1
29	2230	Valve Body	2
30	2231	Valve Stem	2
31	2232	Valve Lock Cap	2
32	2233	Valve Spring	2
33	2234	O Ring 0.625	4
34	2235	O Ring 0.250	2
35	2236	O Ring 3/32 Teflon	2
36	2237	Pressure Relief Valve	1
37	2237	1/8 NPT Brass Allen Plug	1
38	3101	Warning Label	1
39	3201	Zendex Label	1
40	3104	Rak Jak TBT2 Label	1
41	3037	Serial Number Label	1
42	2245	Handle Grip	2
43	2199	Carry Handle	1
44	2277	Button Head Blk. 10-32 X 1/2	4
45	2278	Nut Black 10-32	4
46	3052	Zendex Handle Label	1
	4041	Operation & Parts Manual	1

**NOTE: PART NUMBERS
IN GRAY BOXES ARE
FIELD REPLACEMENT
PARTS!**

